



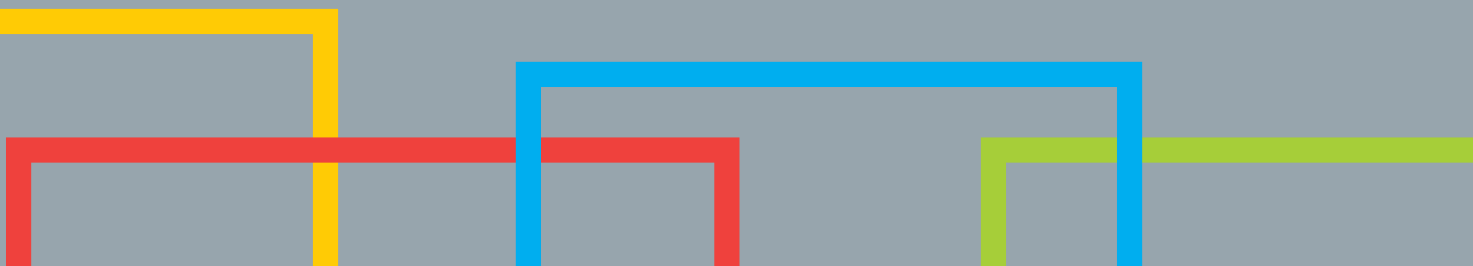
DYNACO S-631 RIGID

DiscDrive
Disc driven technology



inside & outside door

www.dynacodoor.com



DYNACO S-631 RIGID

The Dynaco S-631 Rigid is designed for medium sized inside and outside applications requiring extra security. The side posts are designed to resist windloads and protect against intruders.

The unique DiscDrive technology enables quick replacement of the impacted lamellas after collision, minimizing downtime.

The Dynaco S-631 Rigid provides environment control and savings on energy costs. Its operating speed improves your traffic flow.

- **DISCDRIVE TECHNOLOGY:**
Unique door drive system with increased longevity. Door remains operational even when a lamella has been removed after impact.
- **EASY LAMELLA REPLACEMENT:**
Lamellas can be individually replaced in a few minutes. No expensive repairs, minimal downtime.
- **FLEXIBLE ALUMINIUM LAMELLAS:**
The flexibility of the aluminium lamellas can absorb light impact.
- **HIGH SPEED OPERATION:**
Up to 2,5 m/s depending on the size.
Closing speed 0,6 m/s.
- **USER SAFETY:**
Light curtain integrated in the side columns.
- **COMFORT OF USE:**
Wireless Dynaco detector at the bottom.
- **ADVANCED DRIVE:**
Frequency driven motor and absolute encoder for smooth operation.
- **WEARING ELEMENTS:**
Wearing elements and moving parts are reduced to a minimum.
- **DYNALOGIC CONTROL BOX:**
User-friendly control box with self-diagnosis.
- **CONFORM TO EN13241-1**

Safe



Easy maintenance





EN13241-1 STANDARDS

| Standard | Ref. | Test acc. | Results |
|------------------------------|----------|-----------|----------|
| Water permeability | EN 12425 | EN 12489 | Class 1 |
| Wind load | EN 12424 | EN 12444 | Class 4* |
| Wind permeability | EN 12426 | EN 12427 | Class 2 |
| Safe openings | EN 12453 | EN 12445 | Pass |
| Mechanical resistance | EN 12604 | EN 12605 | Pass |
| Unintended movements | EN 12604 | EN 12605 | Pass |

* The indicated class for wind resistance applies for doors up to W 3.500mm. Above 3.500mm : Class 3

CHARACTERISTICS

| | |
|--|--|
| Min. dimensions | W 1.000 mm x H 2.625 mm** |
| Max. dimensions | W 5.000 mm x H 5.000 mm** |
| Opening speed Closing speed | up to 2,5 m/s 0,6 m/s |
| Structure | Galvanised steel. Spring covers in galvanised steel standard. |
| Door blade | Double wall aluminium lamella, aluminum colour. Optional window lamellas. |
| Motor | 4 poles, with parking brake - power: 1,1 kW. |
| Control box | DYNALOGIC provided with: circuit breaker, general divider, adjustable timer, push button for opening and reset and frequency inverter. |
| Safety device | Standard light curtain integrated in the side frame. Active height=2500mm. |
| Bottom edge detector | Wireless DYNACO detector (WDD). |
| Power supply Frequency | Single phase 230V - 18 A Frequency: 50-60 Hz |

** Dimensions change in height by steps of 125mm (lamella height) and in width by steps of 10mm.

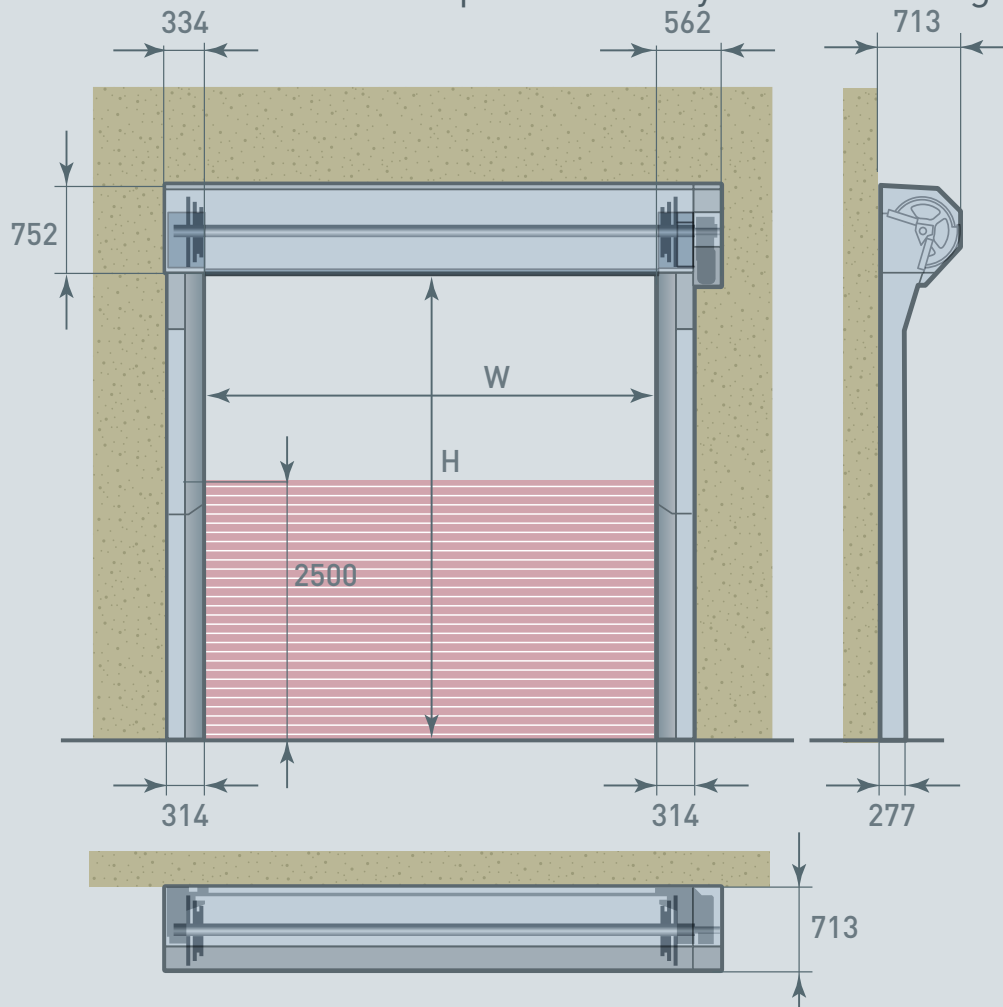
Burglar proof



DiscDrive view



Dimensions and installation requirements Dynaco S-631 Rigid



All indicated dimensions are net: the space necessary for mounting and maintenance has to be provided.

REMARK: Based on the risk analysis of the environment, extra push buttons, detectors and covers might be required.

© Entrematic Group AB – 2016

Entrematic offers a comprehensive range of products for industrial, commercial, institutional and residential applications, including sectional doors, loading dock equipment, high-performance doors, residential garage doors, pedestrian doors, gates and barriers, and automation and operators. Built on nearly 200 years of accumulated expertise, Entrematic aims to be the most dynamic, innovative company in the entrance automation industry, and the best partner for dealers and installers. Our well-known brands include Normstahl, Dynaco, Ditec and EM.

Entrematic, Amarr, Kelly, Serco, Normstahl, Dynaco, Ditec and EM, as words and logotypes, are examples of trademarks owned by Entrematic Group AB or companies within the Entrematic Group.

The Dynaco products are protected by worldwide registered patents. As part of its policy of continuous product development, Entrematic Europe nv reserves the right to change the characteristics of its products or components without prior notice.

Disclaimers:

For a correct use of our products, please refer to our manual.

Everything that is mentioned in this brochure is only valid under the terms of use in the user manual and on condition that the door was properly installed and maintained and has not undergone abuse nor neglect.

Entrematic Belgium NV
Waverstraat 21
B-9310 Moorsel-Aalst (Belgium)
Tel. +32 53 72 98 98
Fax. +32 53 72 98 50
info.dynaco.eu@entrematic.com
www.dynacodoor.com

ENTRE/MATIC